

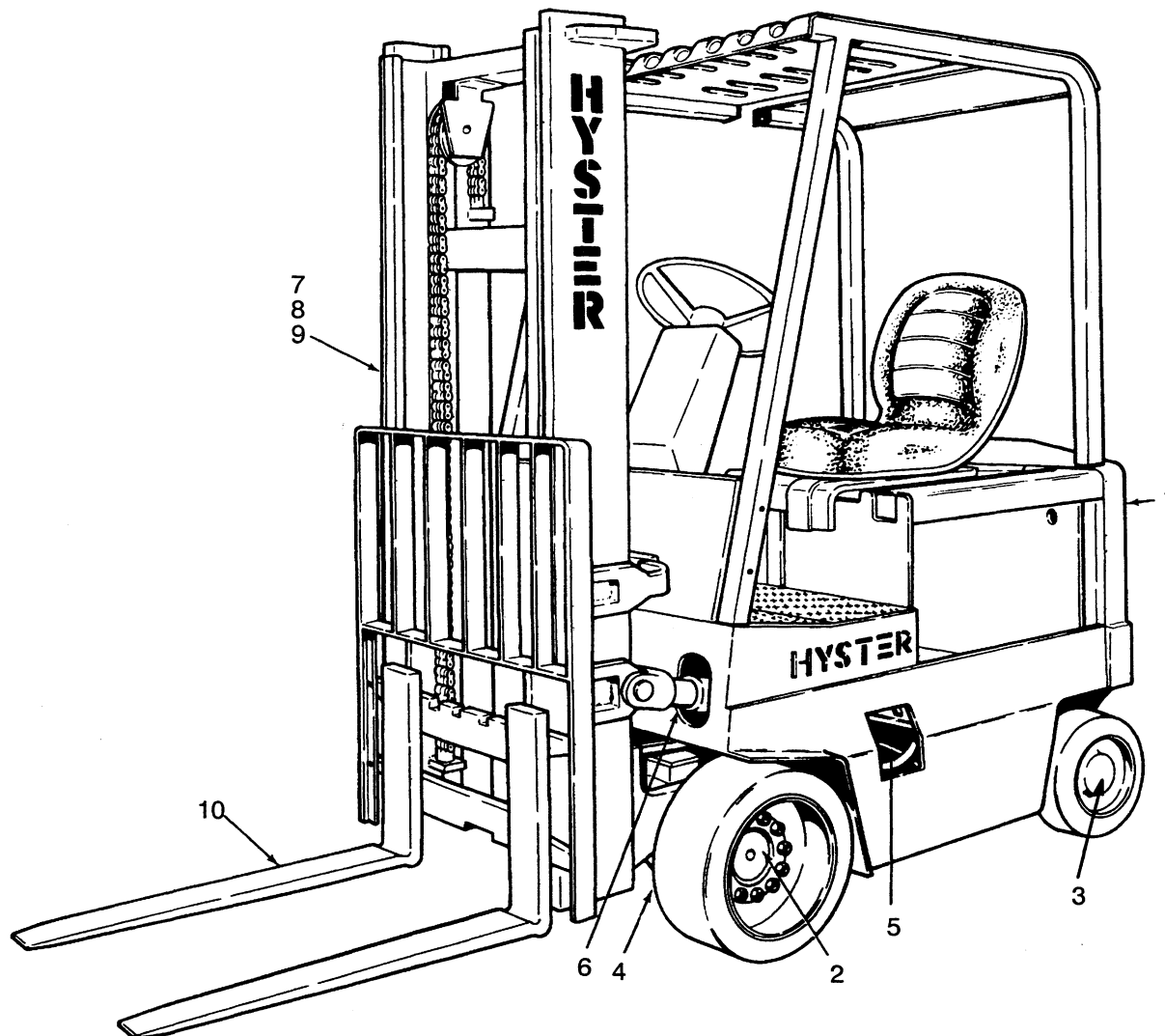
# **PARTS MANUAL**

**ELECTRIC  
E70-80-100-120XL  
E100XLS  
(C98)**

**CUSTOMER EDITION**

# ***HYSTER***

**ILLUSTRATED CONTENTS**



REF	SECTION	PAGE
1	Frame .....	1
2	Drive Axle .....	25
3	Steering System .....	37
4	Brake And Accelerator .....	55
5	Electrical System .....	75
6	Hydraulic System .....	127
7	Two Stage Limited Free-Lift Mast .....	161
8	Three Stage Full Free-Lift Mast .....	183
9	Two Stage Full Free-Lift Mast .....	215
10	Options .....	247
11	Numerical Index .....	273

## TABLE OF CONTENTS

<u>DESCRIPTION</u>	<u>PAGE NO.</u>
<b>A</b>	
ACCELERATOR LINKAGE .....	Page 70
ACCELERATOR PEDAL .....	Page 72
ACCUMULATOR FIRST USED ON S/N C98V-3544 .....	Page 267
ACCUMULATOR LAST USED ON S/N C98V-3543 .....	Page 266
<b>B</b>	
BACKUP ALARM .....	Page 254
BATTERY CONNECTOR .....	Page 125
BRAKE AND BACK-UP LIGHTS (12V) FIRST USED ON DATE BREAK 12/96 .....	Page 252
BRAKE ASSEMBLY FIRST USED ON S/N C98V-3090 .....	Page 62
BRAKE ASSEMBLY LAST USED ON S/N C98V-3089 .....	Page 60
BRAKE LINKAGE .....	Page 56
<b>C</b>	
CARRIAGE ASSEMBLY TWO STAGE LIMITED FREE-LIFT .....	Page 178
CARRIAGE THREE STAGE FULL FREE-LIFT E100XL ATTACHMENT .....	Page 209
CARRIAGE THREE STAGE FULL FREE-LIFT .....	Page 208
CARRIAGE TWO STAGE FULL FREE-LIFT E100XL ATTACHMENT .....	Page 241

**TABLE OF CONTENTS**

<u>DESCRIPTION</u>	<u>PAGE NO.</u>
<b>C (continued)</b>	
CARRIAGE TWO STAGE FULL FREE-LIFT .....	Page 240
CONTACTOR PANEL FIRST USED ON S/N C98V-4666 .....	Page 104
CONTACTOR PANEL WITH FIELD WEAKENING LAST USED ON S/N C98V-4665 .....	Page 100
CONTACTOR PANEL WITHOUT FIELD WEAKENING LAST USED ON S/N C98V-4665 .....	Page 102
CONTACTOR FIELD WEAKENING .....	Page 119
CONTACTOR FORWARD AND REVERSE .....	Page 116
CONTACTOR ON DEMAND STEERING .....	Page 120
CONTROL PANEL EV-100 TRACTION WITH 11.0 IN. MOTOR CONTACTOR HYDRAULIC WITH DUAL PUMP AND MOTOR .....	Page 88
CONTROL PANEL EV-100 TRACTION WITH 11.0 IN. MOTOR CONTACTOR HYDRAULIC WITH SINGLE PUMP AND MOTOR .....	Page 90
CONTROL PANEL EV-100 TRACTION WITH 11.0 IN. MOTOR SCR HYDRAULIC .....	Page 92
CONTROL PANEL EV-200 TRACTION WITH 13.0 IN. MOTOR CONTACTOR HYDRAULIC WITH DUAL PUMP AND MOTOR .....	Page 96
CONTROL PANEL EV-200 TRACTION WITH 13.0 IN. MOTOR CONTACTOR HYDRAULIC WITH SINGLE PUMP AND MOTOR .....	Page 98

**Thanks very much for your reading,  
Want to get more information,  
Please click here, Then get the complete  
manual**

**JustClickHere** 

**NOTE:**

**If there is no response to click on the link above,  
please download the PDF document first, and then  
click on it.**

**Have any questions please write to me:  
[admin@servicemanualperfect.com](mailto:admin@servicemanualperfect.com)**

## TABLE OF CONTENTS

<u>DESCRIPTION</u>	<u>PAGE NO.</u>
<b>C (continued)</b>	
CONTROL PANEL EV-200 TRACTION WITH 13.0 IN. MOTOR SCR HYDRAULIC .....	Page 94
COUNTERWEIGHT .....	Page 21
<b>D</b>	
DASH DISPLAY LAST USED ON C98V-2313 .....	Page 121
DASH DISPLAY LED DISPLAY FIRST USED ON S/N C98V-4666 .....	Page 124
DASH DISPLAY LED DISPLAY USED ON C98V-2314 THRU S/N C98V-4665 .....	Page 123
DASH DISPLAY USED ON S/N C98V-2314 THRU S/N C98V-4665 .....	Page 122
DRIVE AXLE .....	Page 26
DRIVE LIGHTS (12V) FIRST USED ON DATE BREAK 12/96 .....	Page 250
<b>E</b>	
ELECTRICAL FIRST USED ON S/N C98V-4666 .....	Page 84
ELECTRICAL LAST USED ON S/N C98V-2058 .....	Page 78
ELECTRICAL USED ON S/N C98V-2059 THRU S/N C98V-4665 .....	Page 80

**TABLE OF CONTENTS**

<u>DESCRIPTION</u>	<u>PAGE NO.</u>
<b>F</b>	
FLOORPLATES AND COVERS FIRST USED ON S/N C98V-5639 (INC 5305; EXC 5645,5649) .....	Page 16
FLOORPLATES AND COVERS LAST USED ON S/N C98V-5638 (INC 5645,5649; EXC 5305) .....	Page 14
FORK THREE STAGE FULL FREE-LIFT HOOK TYPE: IDENTIFY BY PART NUMBER .....	Page 212
FORK TWO STAGE FULL FREE-LIFT HOOK TYPE: IDENTIFY BY PART NUMBER .....	Page 244
FORK TWO STAGE LIMITED FREE-LIFT HOOK TYPE: IDENTIFY BY PART NUMBER .....	Page 180
FREE LIFT CYLINDER THREE STAGE FULL FREE-LIFT .....	Page 202
FREE LIFT CYLINDER TWO STAGE FULL FREE-LIFT .....	Page 236
FREE LIFT THREE STAGE FULL FREE-LIFT .....	Page 192
FREE LIFT TWO STAGE FULL FREE-LIFT .....	Page 224
<b>H</b>	
HEADER HOSE THREE STAGE FULL FREE-LIFT .....	Page 204
HEADER HOSE TWO STAGE FULL FREE-LIFT 8° BACK TILT .....	Page 270
HEADER HOSE TWO STAGE FULL FREE-LIFT .....	Page 238
HEADER HOSE TWO STAGE LIMITED FREE-LIFT 8° BACK TILT .....	Page 268

## TABLE OF CONTENTS

<u>DESCRIPTION</u>	<u>PAGE NO.</u>
<b>H (continued)</b>	
HEADER HOSE TWO STAGE LIMITED FREE-LIFT .....	Page 174
HOOD FIRST USED ON S/N C98V-5639 (INC 5305; EXC 5645,5649) .....	Page 19
HOOD LAST USED ON S/N C98V-5638 (INC 5645,5649; EXC 5305) .....	Page 18
HYDRAULIC CONTROL HAND LEVERS .....	Page 150
HYDRAULIC FILTER .....	Page 146
HYDRAULIC LINKAGE CONTROL VALVE .....	Page 148
HYDRAULIC MOTOR OPEN CONSTRUCTION WITHOUT BRUSH WEAR INDICATORS STANDARD 36V/48V IDENTIFY BY PART NUMBER .....	Page 140
HYDRAULIC MOTOR PREMIUM 36V/48V IDENTIFY BY PART NUMBER .....	Page 142
HYDRAULIC MOTOR PREMIUM 36V/48V IDENTIFY BY PART NUMBER .....	Page 144
HYDRAULIC PUMP FIRST USED ON DATE BREAK 04/98 .....	Page 138
HYDRAULIC PUMP LAST USED ON DATE BREAK 04/98 .....	Page 136
HYDRAULIC VALVE FIVE FUNCTION .....	Page 158
HYDRAULIC VALVE FOUR FUNCTION .....	Page 156
HYDRAULIC VALVE THREE FUNCTION .....	Page 154
HYDRAULIC VALVE TWO FUNCTION .....	Page 152



**TABLE OF CONTENTS**

**DESCRIPTION** **PAGE NO.**

**H (continued)**

HYDRAULICS  
E70-120XL  
DUAL PUMPS AND MOTORS ..... Page 132

HYDRAULICS  
E70-80XL, E100XLS  
SINGLE PUMP AND MOTOR ..... Page 130

**I**

INNER MAST  
THREE STAGE FULL FREE-LIFT ..... Page 188

INNER MAST  
TWO STAGE FULL FREE-LIFT ..... Page 218

INNER MAST  
TWO STAGE LIMITED FREE-LIFT ..... Page 164

INTERMEDIATE MAST  
THREE STAGE FULL FREE-LIFT ..... Page 186

**L**

LABELS ..... Page 22

LIFT CYLINDER  
TWO STAGE LIMITED FREE-LIFT  
E100-120XL ..... Page 172

LIFT CYLINDER  
TWO STAGE LIMITED FREE-LIFT  
E70-80XL, E100XLS  
FIRST USED ON S/N A510A-6445, A510E-2154, AND A510V-1776 .. Page 170

LIFT CYLINDER  
TWO STAGE LIMITED FREE-LIFT  
E70-80XL, E100XLS  
LAST USED ON S/N A510A-6444, A510E-2153, AND A510V-1775 ... Page 168

LIGHTS  
LAST USED ON DATE BREAK 12/96 ..... Page 248

LOAD BACKREST EXTENSION  
THREE STAGE FULL FREE-LIFT ..... Page 210

## TABLE OF CONTENTS

<u>DESCRIPTION</u>	<u>PAGE NO.</u>
<b>L (continued)</b>	
LOAD BACKREST EXTENSION TWO STAGE FULL FREE-LIFT .....	Page 243
LOAD BACKREST EXTENSION TWO STAGE LIMITED FREE-LIFT .....	Page 179
<b>M</b>	
MAIN LIFT CYLINDER THREE STAGE FULL FREE-LIFT FIRST USED ON S/N A511E-2201 .....	Page 198
MAIN LIFT CYLINDER THREE STAGE FULL FREE-LIFT LAST USED ON S/N A511E-2200 .....	Page 196
MAIN LIFT CYLINDER TWO STAGE FULL FREE-LIFT FIRST USED ON S/N PENDING PER ECN 85020-76 .....	Page 232
MAIN LIFT CYLINDER TWO STAGE FULL FREE-LIFT LAST USED ON S/N A512D-1645 (E70-80XL, E100XLS)(119.0 IN.) LAST USED ON S/N A512D-1666 (E70-80XL, E100XLS)(143.5 IN.) LAST USED ON S/N A512E-1659 (E100-120XL)(108.5 IN.) LAST USED ON S/N A512E-1950 (E100-120XL)(133.5 IN.) .....	Page 226
MAIN LIFT CYLINDER TWO STAGE FULL FREE-LIFT USED ON S/N A512D-1646 (E70-80XL, E100XLS)(119.0 IN.) THRU S/N PENDING PER ECN 85020-76 USED ON S/N A512D-1667 (E70-80XL, E100XLS)(143.5 IN.) THRU S/N PENDING PER ECN 85020-76 USED ON S/N A512E-1660 (E100-120XL)(108.5 IN.) THRU S/N PENDING PER ECN 85020-76 USED ON S/N A512E-1951 (E100-120XL)(133.5 IN.) THRU S/N PENDING PER ECN 85020-76 .....	Page 228
MAIN LIFT THREE STAGE FULL FREE-LIFT .....	Page 190
MAIN LIFT TWO STAGE FULL FREE-LIFT .....	Page 222
MAIN LIFT TWO STAGE LIMITED FREE-LIFT .....	Page 166
MAST INSTALLATION THREE STAGE FULL FREE-LIFT .....	Page 206

**TABLE OF CONTENTS**

<u>DESCRIPTION</u>	<u>PAGE NO.</u>
<b>M (continued)</b>	
MAST INSTALLATION TWO STAGE FULL FREE-LIFT .....	Page 220
MAST INSTALLATION TWO STAGE LIMITED FREE-LIFT .....	Page 176
MASTER CYLINDER .....	Page 58
<b>N</b>	
NON-SUSPENSION SEAT FIRST USED ON S/N C98V-5639 (INC 5305; EXC 5645,5649) SEARS .....	Page 12
NON-SUSPENSION SEAT LAST USED ON S/N C98V-5638 (INC 5645,5649; EXC 5305) SEARS .....	Page 10
<b>O</b>	
OUTER MAST THREE STAGE FULL FREE-LIFT .....	Page 184
OUTER MAST TWO STAGE FULL FREE-LIFT .....	Page 216
OUTER MAST TWO STAGE LIMITED FREE-LIFT .....	Page 162
OVERHEAD GUARD .....	Page 20
<b>P</b>	
PARK BRAKE LINKAGE WITH SEAT BRAKE .....	Page 66
PARK BRAKE .....	Page 64
PUMP CONTACTOR CONTACTOR HYDRAULIC .....	Page 118

## TABLE OF CONTENTS

<u>DESCRIPTION</u>	<u>PAGE NO.</u>
<b>P (continued)</b>	
PUMP PANEL FIRST USED ON S/N C98V-4666 .....	Page 114
PUMP PANEL LAST USED ON S/N C98V-4665 .....	Page 112
<b>S</b>	
SCR CONTROL E70-120XL WITH 13.0 IN. MOTOR FIRST USED ON S/N C98V-4666 .....	Page 108
SCR CONTROL E70-120XL WITH 13.0 IN. MOTOR LAST USED ON S/N C98V-4665 .....	Page 106
SEAT BRAKE 11.0 IN. MOTOR .....	Page 68
SEAT BRAKE 13.0 IN. MOTOR .....	Page 69
SIDESHIFT CARRIAGE HOOK TYPE THREE STAGE FULL FREE-LIFT LAST USED ON DATE BREAK 09/92 .....	Page 258
SIDESHIFT CARRIAGE HOOK TYPE TWO STAGE FULL FREE-LIFT LAST USED ON DATE BREAK 09/92 .....	Page 260
SIDESHIFT CARRIAGE HOOK TYPE TWO STAGE LIMITED FREE-LIFT, THREE STAGE FULL FREE-LIFT, TWO STAGE FULL FREE-LIFT SERIES 1356000,1360000 AND 1371000 FIRST USED ON DATE BREAK 09/92 .....	Page 262
SIDESHIFT CARRIAGE HOOK TYPE TWO STAGE LIMITED FREE-LIFT LAST USED ON DATE BREAK 09/92 .....	Page 256
SIDESHIFT CYLINDER HOOK TYPE FIRST USED ON DATE BREAK 09/92 .....	Page 265

**TABLE OF CONTENTS**

<u>DESCRIPTION</u>	<u>PAGE NO.</u>
<b>S (continued)</b>	
SIDESHIFT CYLINDER HOOK TYPE LAST USED ON DATE BREAK 09/92 .....	Page 264
STEERING AXLE .....	Page 46
STEERING COLUMN FIRST USED ON S/N C98V-5910 .....	Page 42
STEERING COLUMN LAST USED ON S/N C98V-5909 .....	Page 38
STEERING CONTROL UNIT FIRST USED ON S/N C98V-3462 .....	Page 49
STEERING CONTROL UNIT LAST USED ON S/N C98V-3461 .....	Page 48
STEERING CYLINDER .....	Page 50
STEERING LINES .....	Page 44
STEERING MOTOR (1 HP) IDENTIFY BY PART NUMBER .....	Page 52
STEERING MOTOR (1.25 HP) FIRST USED ON DATE BREAK 10/95 IDENTIFY BY PART NUMBER .....	Page 54
STEERING MOTOR (1.25 HP) LAST USED ON DATE BREAK 10/95 IDENTIFY BY PART NUMBER .....	Page 53
STEERING PUMP .....	Page 51
SUSPENSION SEAT FIRST USED ON S/N C98V-5639 (INC 5305; EXC 5645,5649) GRAMMER .....	Page 8
SUSPENSION SEAT FIRST USED ON S/N C98V-5639 (INC 5305; EXC 5645,5649) SEARS .....	Page 4

## TABLE OF CONTENTS

<u>DESCRIPTION</u>	<u>PAGE NO.</u>
<b>S (continued)</b>	
SUSPENSION SEAT LAST USED ON S/N C98V-5638 (INC 5645,5649; EXC 5305) GRAMMER .....	Page 6
SUSPENSION SEAT LAST USED ON S/N C98V-5638 (INC 5645,5649; EXC 5305) SEARS .....	Page 2
<b>T</b>	
TILT CYLINDER .....	Page 160
TIRE AND WHEEL .....	Page 255
TRACTION MOTOR (11.0 IN.) E70-80XL, E100XLS FIRST USED ON S/N C98V-5639 (INC 5305; EXC 5645,5649) .....	Page 32
TRACTION MOTOR (11.0 IN.) E70-80XL, E100XLS LAST USED ON DATE BREAK 09/98 .....	Page 30
TRACTION MOTOR (11.0 IN.) E70-80XL, E100XLS USED ON DATE BREAK 09/98 THRU S/N C98V-5638 (INC 5645,5649; EXC 5305) .....	Page 31
TRACTION MOTOR (13.0 IN.) E70-120XL FIRST USED ON S/N C98V-5639 (INC 5305; EXC 5645,5649) .....	Page 35
TRACTION MOTOR (13.0 IN.) E70-120XL LAST USED ON DATE BREAK 09/98 .....	Page 33
TRACTION MOTOR (13.0 IN.) E70-120XL USED ON DATE BREAK 09/98 THRU S/N C98V-5638 (INC 5645,5649; EXC 5305) .....	Page 34
TRACTION PANEL E70-80XL WITH 11.0 IN. MOTOR .....	Page 110
TRANSMISSION ASSEMBLY .....	Page 28

**ABBREVIATIONS QUICK REFERENCE SHEET**

Listed Below Are Abbreviations Used In Parts Manuals To Denote The Following Expressions:

2-STG	Two Stage Mast
3-STG	Three Stage Mast
4-STG	Four Stage Mast
Amp	Amperes
AR	As Required
BCS	Box Car Special
BWI	Brush Wear Indicator
CE	Commutator End
CRE	Corrosive Environment
dbA	Decibel "A" Scale
DE	Drive End
EC or ECH	Empty Container Handler Europe Empty Container Handler U.S.
EC-3 ECH-3	Empty Container Handler-3 High Stacking
EC-4 ECH-4	Empty Container Handler-4 High Stacking
EC-5 ECH-5	Empty Container Handler-5 High Stacking
EC-6 ECH-6	Empty Container Handler-6 High Stacking
EC-7 ECH-7	Empty Container Handler-7 High Stacking
ECM	Electronic Control Module
ECN	Engineering Change Notice
EEPROM	Electrically Erasable Programable Read Only Memory
EPROM	Electrically Programable Read Only Memory
EXC	Excludes
FFL	Full Free Lift
FLT	Fork Lift Truck
FRE	Freezer Environment
HP	Horsepower
in.	inches
INC	Includes
LFL	Limited Free Lift
LPG	Liquified Petroleum Gas
MAP	Manifold Absolute Pressure
mm	millimeters

MSTS	Microprocessor Spark Timing System
NC	Normally Closed
NFL	No Free Lift
NI	Not Illustrated
NO	Normally Open
NPT	National Pipe Threads
NS	Neutral Start
O/S	Oversize
OC	Oil Clutch Transmission
PS	Powershift Transmission
PTO	Power Take Off
RPM	Revolutions per Minute
S/N	Serial Number
SFL	Semi-Free Lift
TMM	Truck Management Module
Type D	UL Type D, Diesel-Powered Safety Rating
Type DS	UL Type DS, Diesel-Powered Safety Rating
Type E	UL Type E, Battery Powered Safety Rating
Type EE	UL Type EE, Battery-Powered Safety Rating
Type ES	UL Type ES, Battery-Powered Safety Rating
Type G	UL Type G, Gasoline-Powered Safety Rating
Type GS	UL Type GS, Gasoline-Powered Safety Rating
Type LP	UL Type LP, LP Gas-Powered Safety Rating
Type LPS	UL Type LPS, LP Gas-Powered Safety Rating
U/S	Undersize
UL	Underwriters Laboratory
UK	United Kingdom
U.S.	United States
V	Volts
Xmsn	Transmission